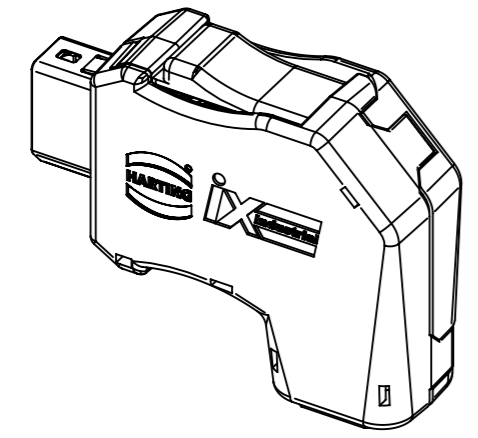
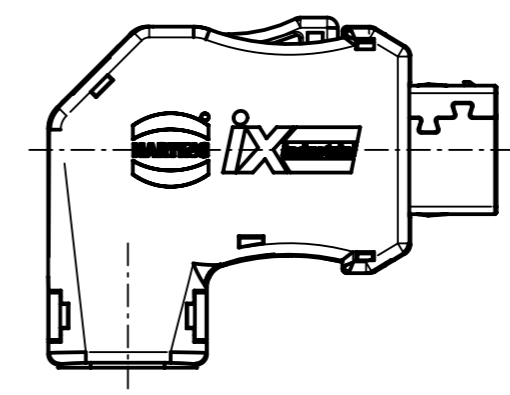
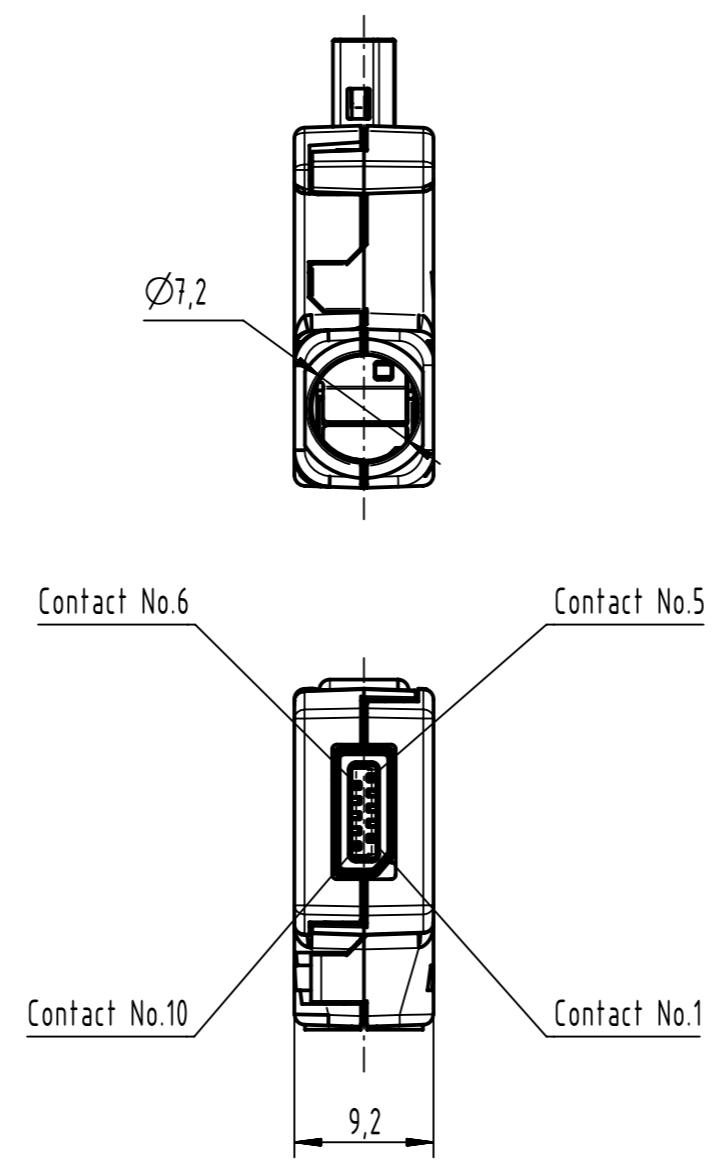
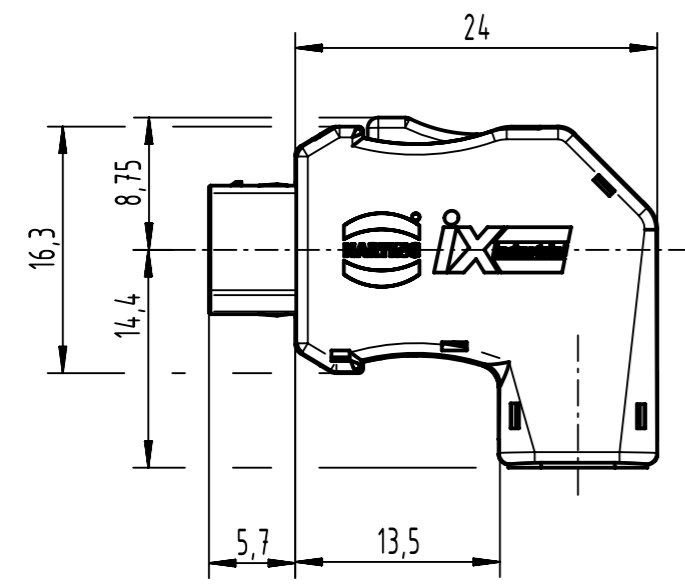


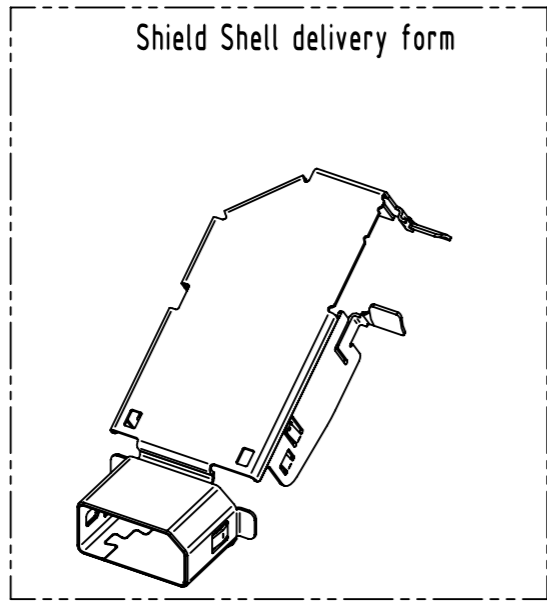
Applicable cable	
Items	Applicable condition
Conductor size	AWG 22
Insulation O.D.	Ø1,4 to 1,6 mm
Braid Shield	Tin plating
Sheath O.D.	Ø5,5mm - Ø7,2mm



Contact material: copper alloy  
 Contact area: Gold 0,2µm min.  
 Wiring area: Gold 0,03µm min.  
 Under plating: Nickel 2µm min.

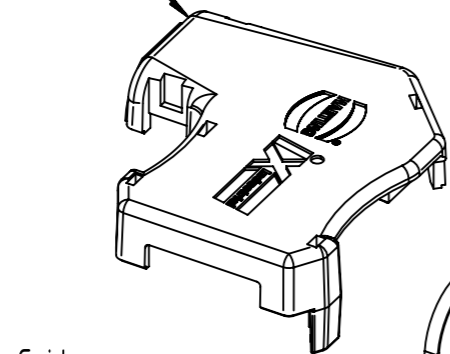
Pin	10/100 Mbit/s	1/10 Gbit/s
1	TX+	BI_DA+
2	TX-	BI_DA-
3	N.C.	N.C.
4	N.C.	BI_DC+
5	N.C.	BI_DC-
6	RX+	BI_DB+
7	RX-	BI_DB-
8	N.C.	N.C.
9	N.C.	BI_DD+
10	N.C.	BI_DD-

All Dimensions in mm Original Size DIN A3		Scale 2:1	Free size tol.		Ref.
All rights reserved Department EL PD		Created by BALSAN	Inspected by PREOTU	Standardisation ROEBEN	Date 2022-06-09
HARTING D-32339 Espelkamp		Title ix Industrial 10A-1 plug A1-I22			State Final Release
		Type TB	Number 09451812583XL		Doc-Key / ECM-Nr. 101010848/UGD/000/A 500000219077
				Rev. A	Page 1/2

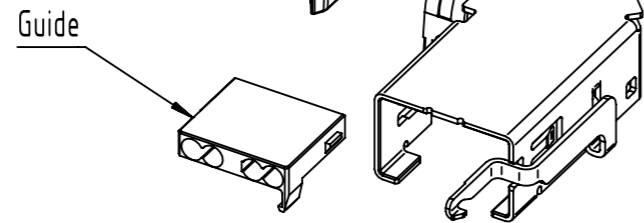


Shield Shell delivery form

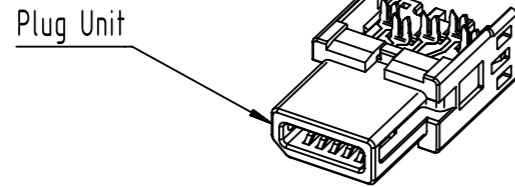
Cover Case Product Structure



Shield Case



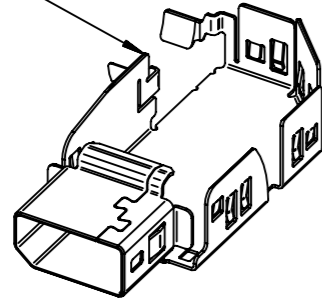
Guide



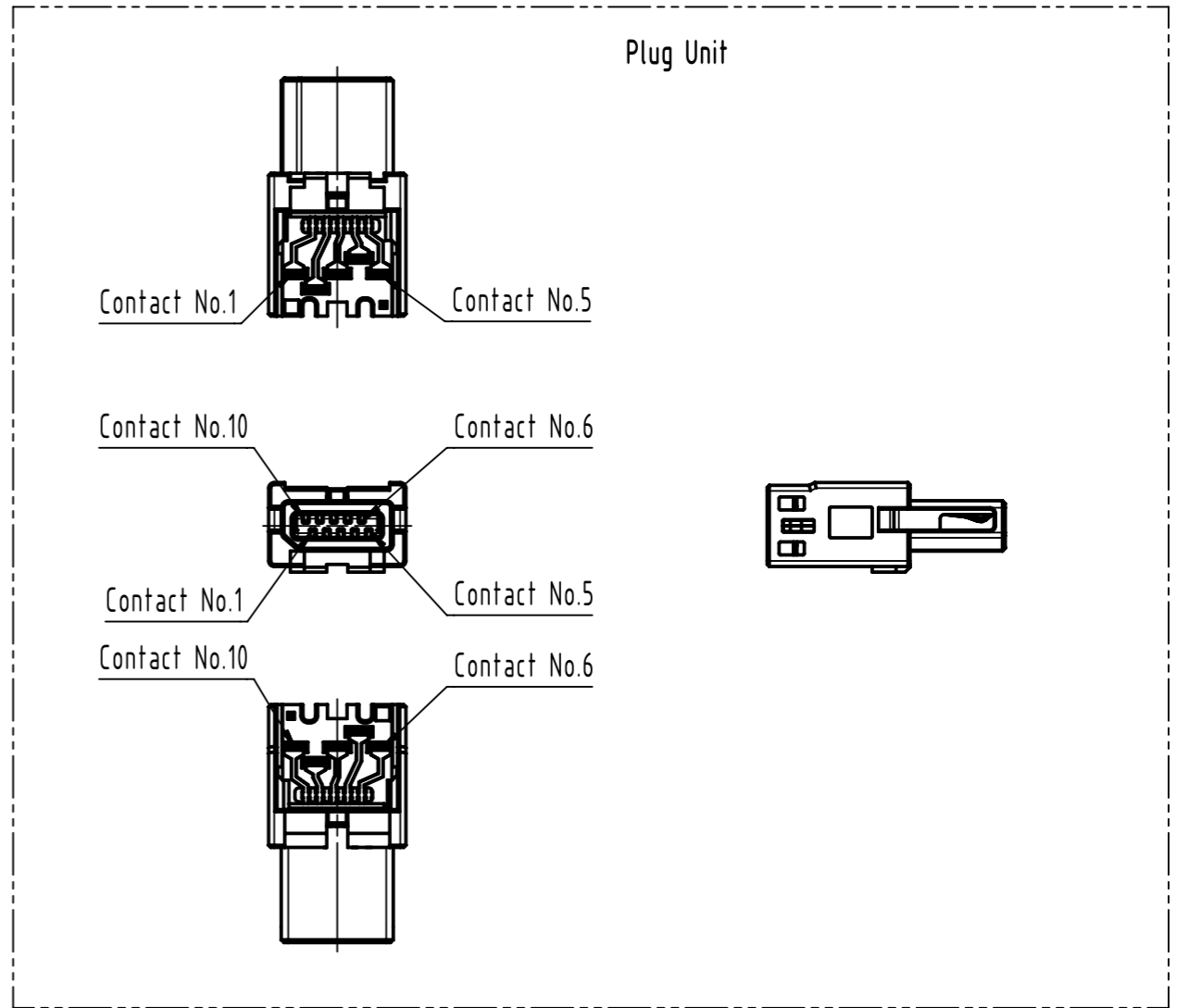
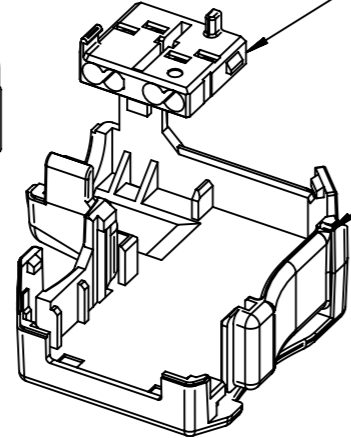
Plug Unit

Guide

Shield Shell



Cover Case



Plug Unit

Contact No.1

Contact No.5

Contact No.10

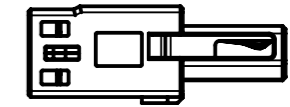
Contact No.6

Contact No.1

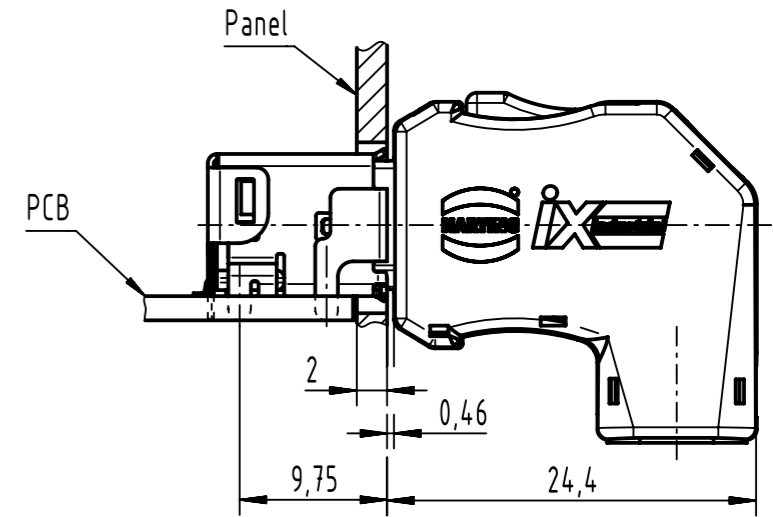
Contact No.5

Contact No.10

Contact No.6



Mating condition



Panel

PCB

	All Dimensions in mm Original Size DIN A3	Scale 2:1	Free size tol.	Ref. Sub.
	All rights reserved Department EL PD	Created by BALSAN	Inspected by PREOTU	Standardisation ROEBEN
HARTING D-32339 Espelkamp	Title ix Industrial 10A-1 plug A1-I22	Date 2022-06-09	State Final Release	Doc-Key / ECM-Nr. 101010848/UGD/000/A 500000219077
	Type TB	Number 09451812583XL	Rev. A	Page 2/2